

Solid Gas Cabinet - Small GCD-SC1

External Dimensions (mm): H1475 x W840 x D690
--

- Solid Galvanised Sheet
- Closed construction
- Lockable
- Flat packed

Constructed of:

- 2 side panels
- 1 rear panel
- 1 front panel: Door with lock
- 1 roof
- 1 Shelf
- 1 Base Panel with Shelf Insert



Compliant with TRG510 / 280

Our solid cabinets provide the safe storage of small gas cylinders, keeping them out of sight and secure from theft or tampering.

Constructed of galvanised steel ensures longevity both indoors and outdoors.

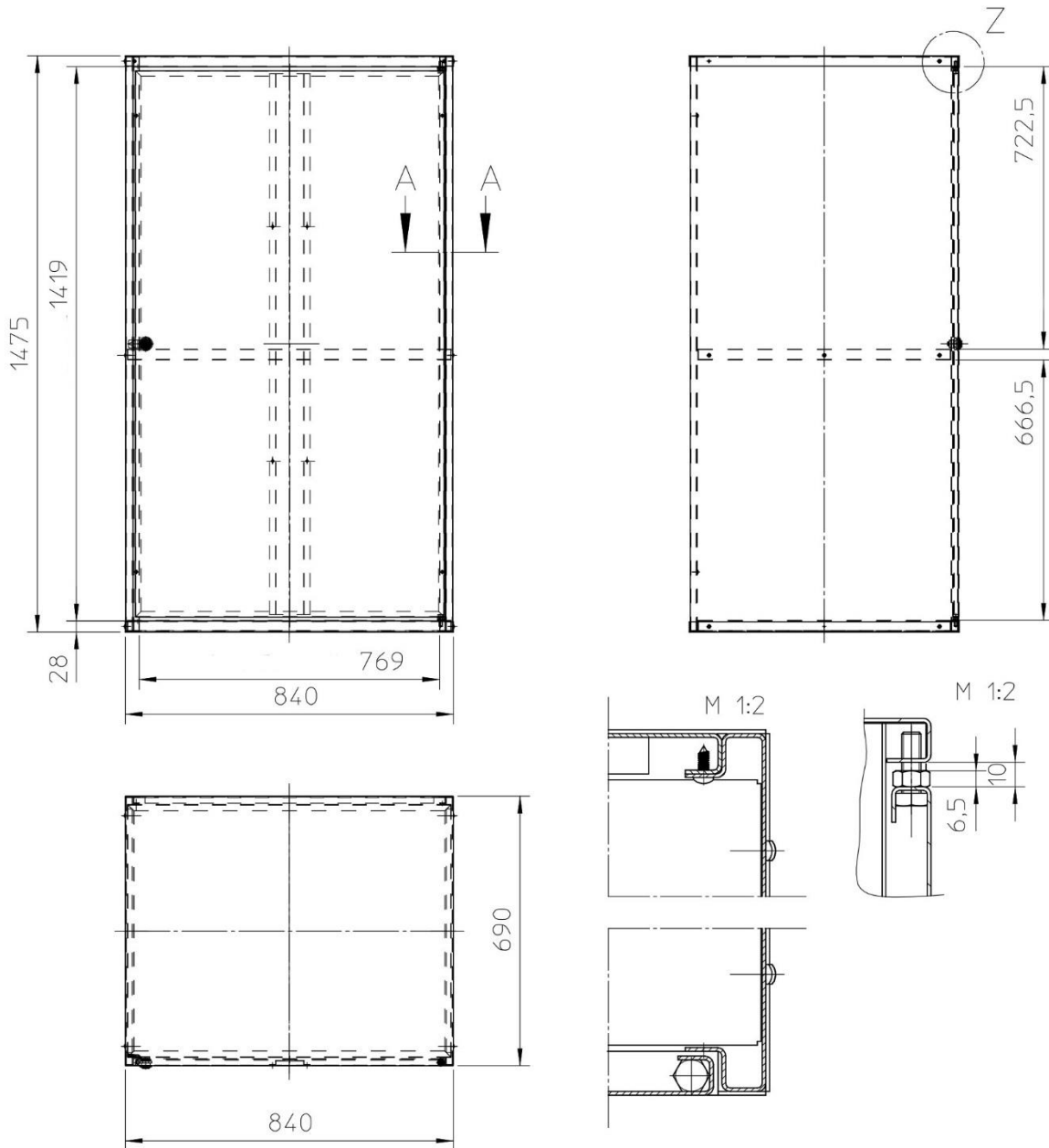
Product Specification:

Weight:	91KG
Finish:	Galvanised
Lock Type:	Cylinder with Triangular Key
2 Storage Levels:	
Bottom Compartment:	H666.5mm
Top Compartment:	H722.5mm
Delivery:	Free Delivery to Mainland UK Lead time: 3 Weeks
Signage:	<i>Available on request</i>
Packaging:	Supplied Flat Packed in Kit form with assembly instructions

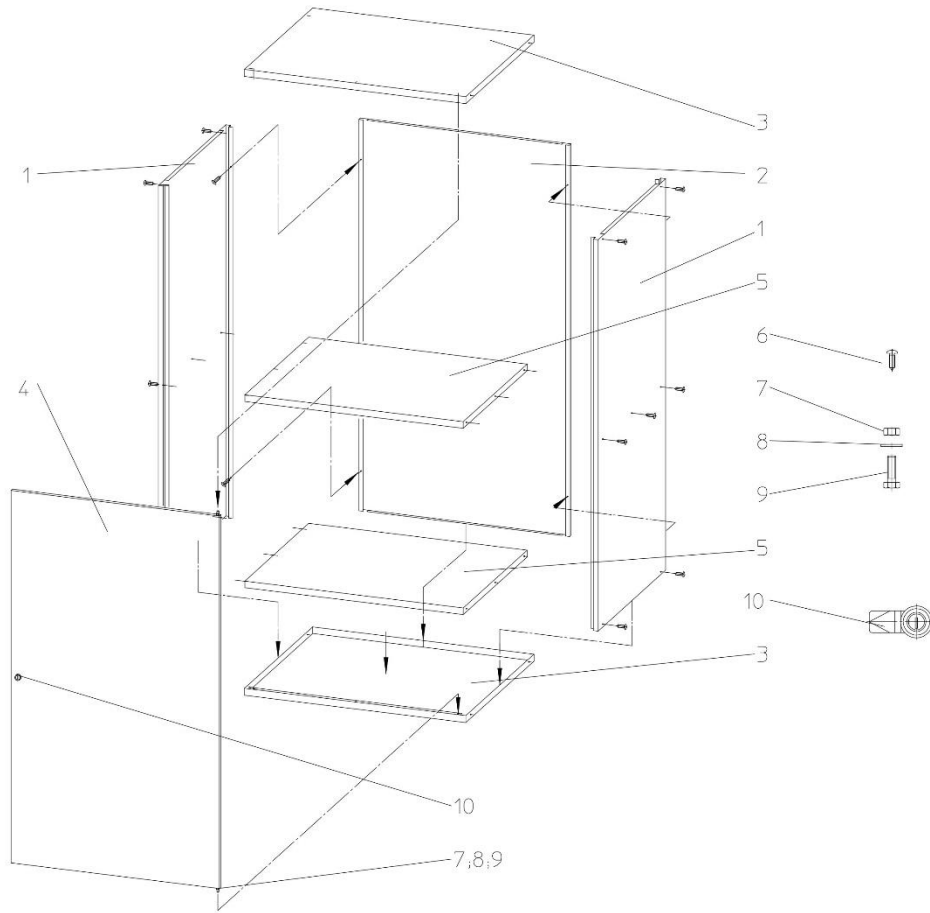
Suitable for the following bottles types:

Number	Gas Type	Bottle Type
10		11kg Propane
10		13kg Butane

Schematic



What's Included



Pos. 1	2 x
Pos. 2	1 x
Pos. 3	2 x
Pos. 4	1 x
Pos. 5	2 x
Pos. 6	20 x
Pos. 7	2 x
Pos. 8	4 x
Pos. 9	2 x
Pos. 10	1 x

GAS C