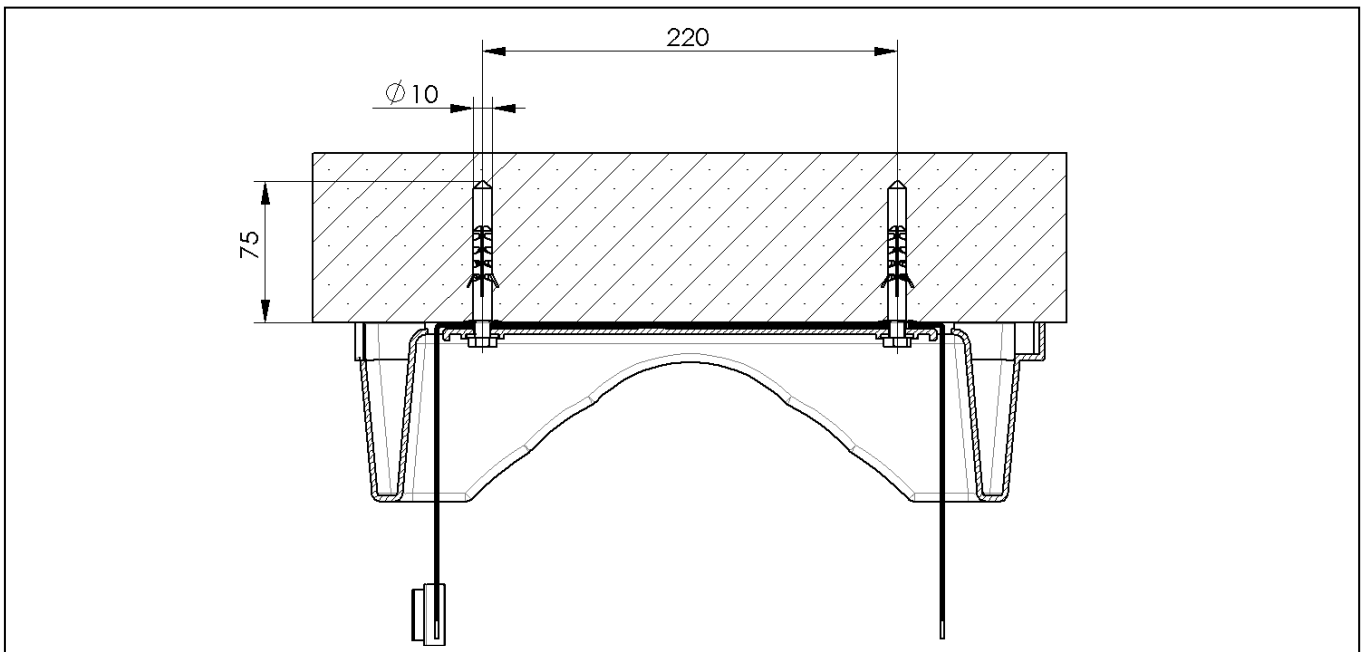
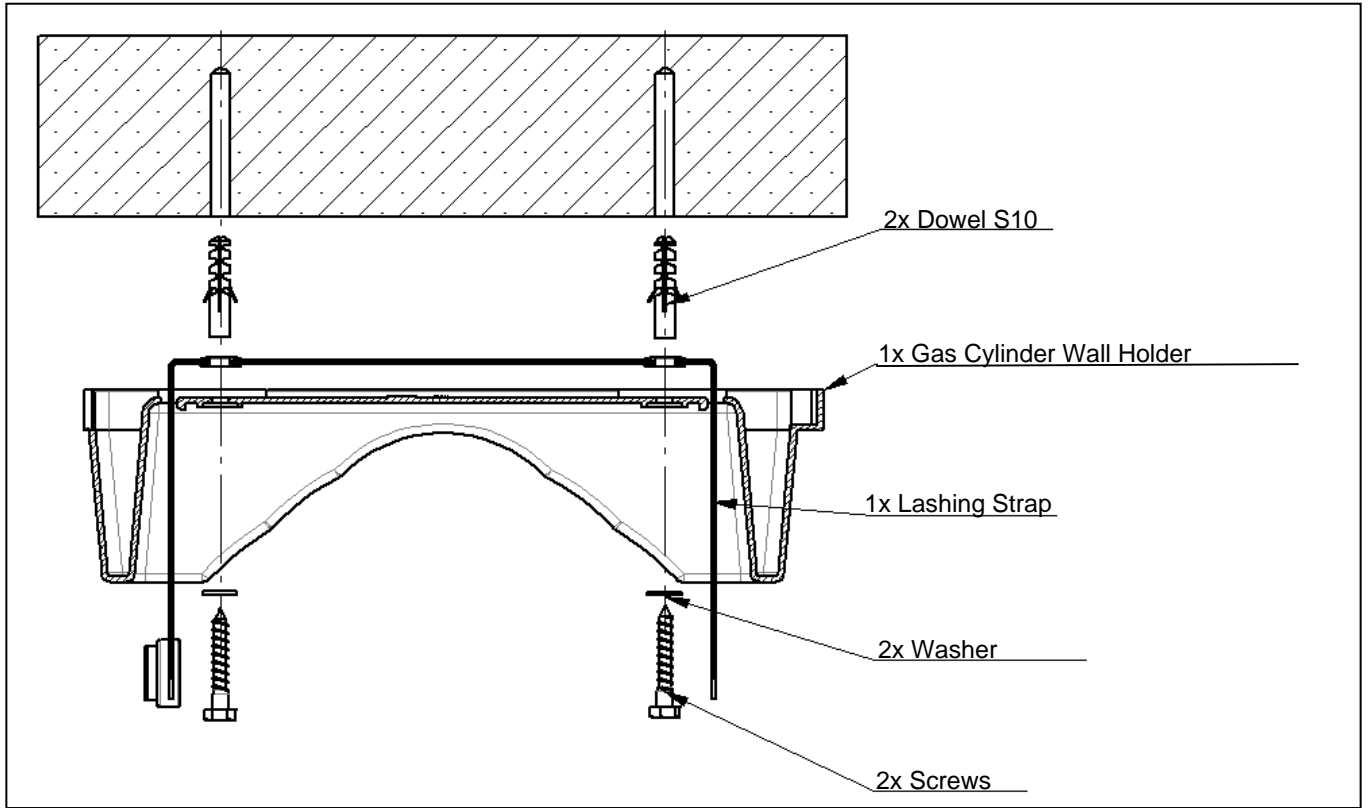


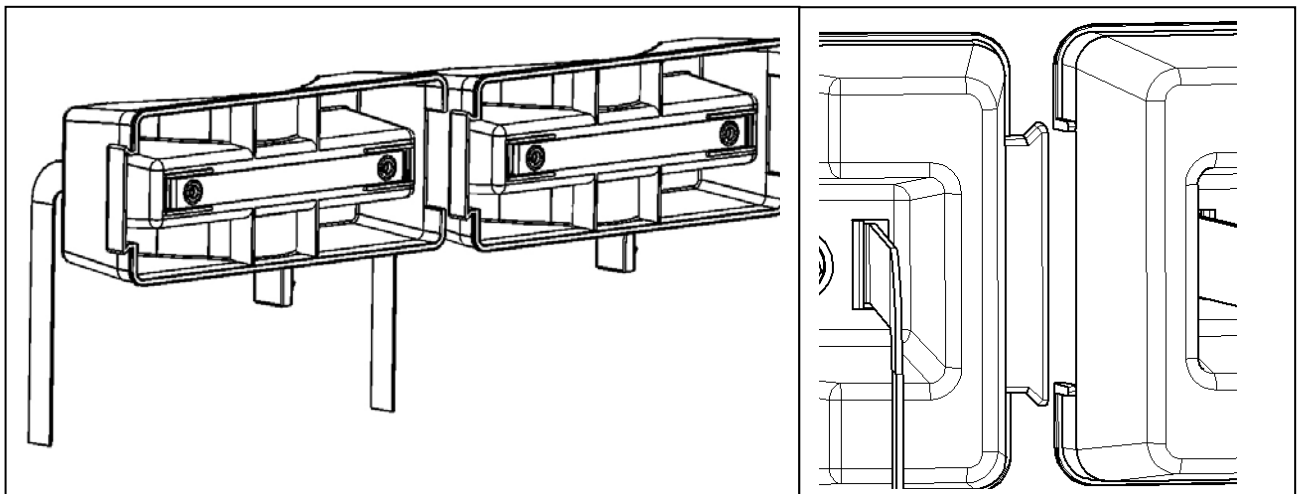
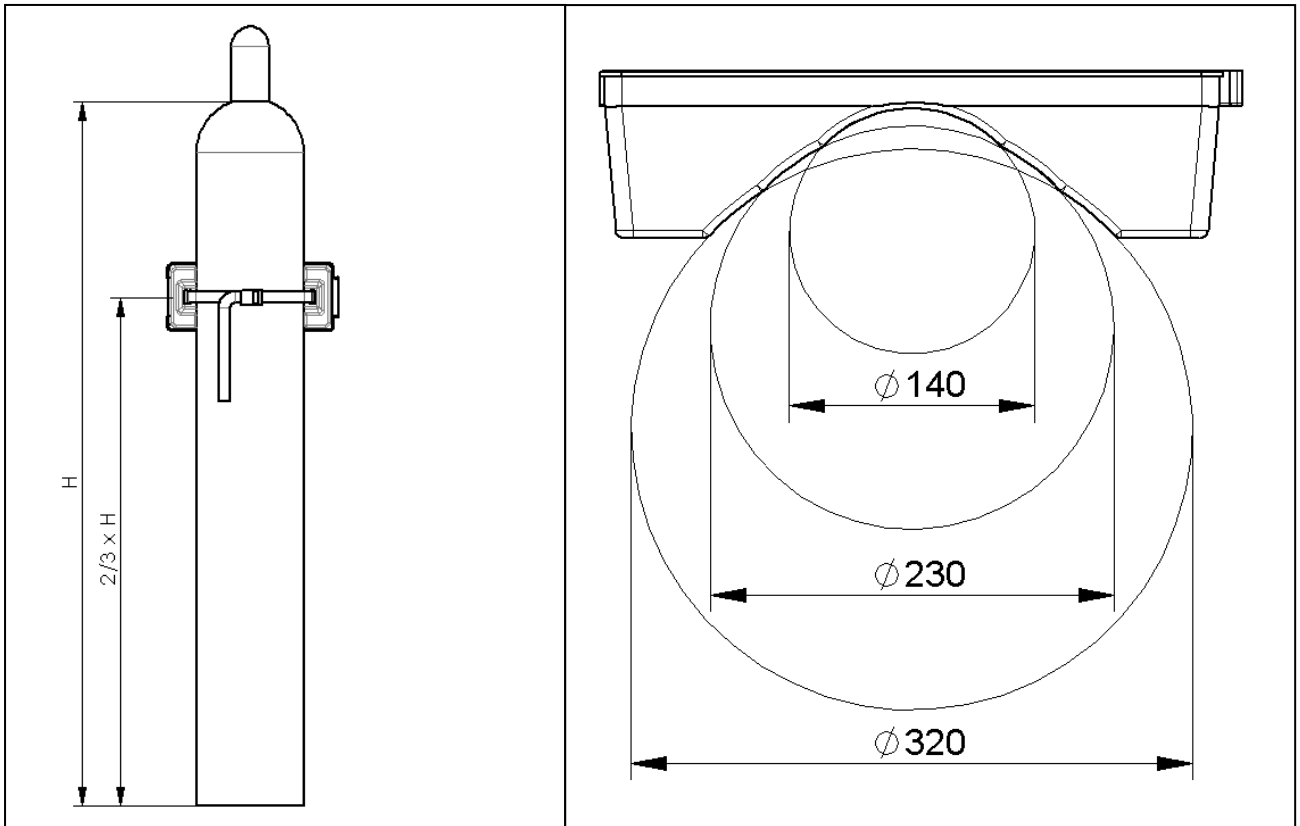
### Cambuckle Wall Bracket - Polyethylene (New Design)



# STAKRAK LIMITED

## MATERIALS STORAGE SOLUTIONS





# STAKRAK LIMITED

## MATERIALS STORAGE SOLUTIONS

Visit our Ecommerce Sites:



Launched in August 2015, Boxline is an industry leading ecommerce store for WALTHER Faltsysteme, operated in the UK by Stakrak Limited.

It excels in supplying a comprehensive range of **distribution containers and folding pallets** to the warehousing and supply chain industry.



Gas Cage Direct supplies a wide range of high quality, UK manufactured products such as **Trolleys, Wall Brackets, Cabinets and Cages**.



Security Cages Direct streamlines the purchasing of **Security Cages online**, offering a comprehensive range of static and mobile cages that offer a solution to all your needs.

Stakrak Limited  
Unit 19 Pelham Court  
Broadfield  
Crawley  
West Sussex  
RH11 9SH